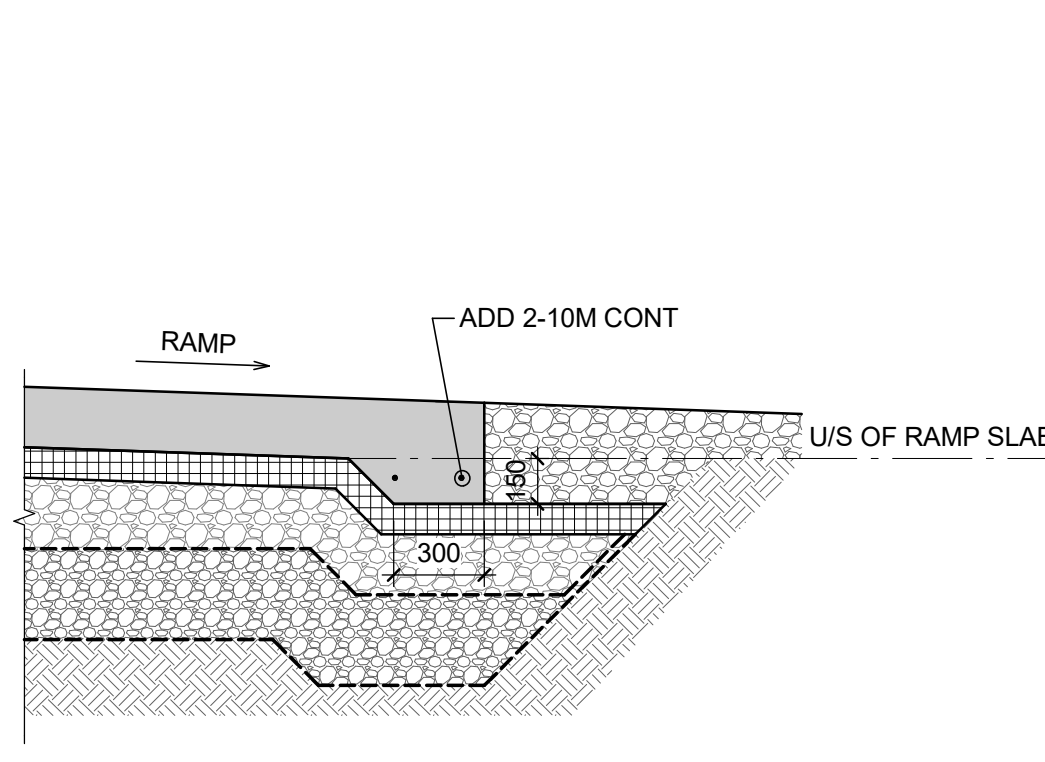
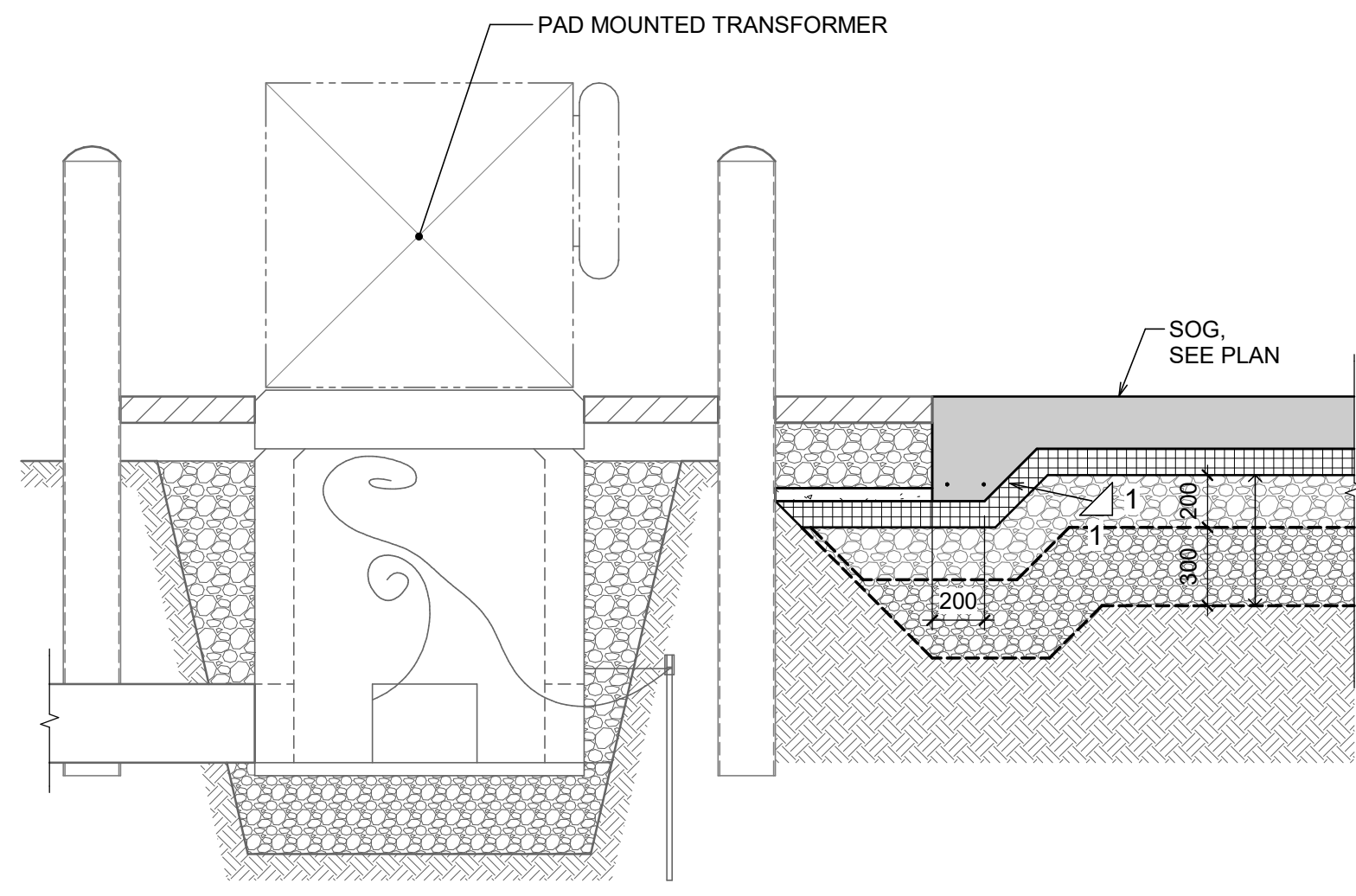


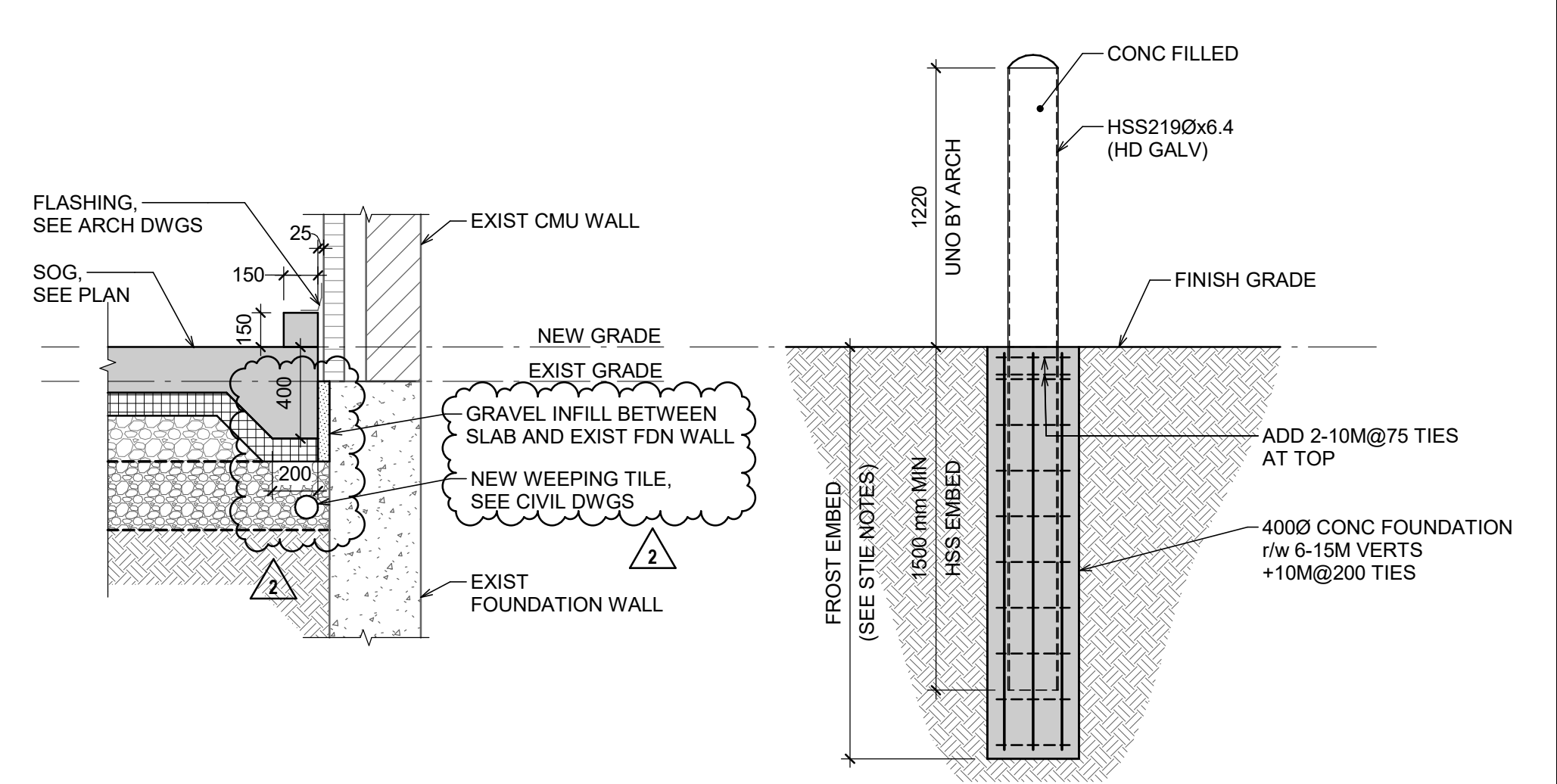
**5 SECTION**  
S00-303 1: 25



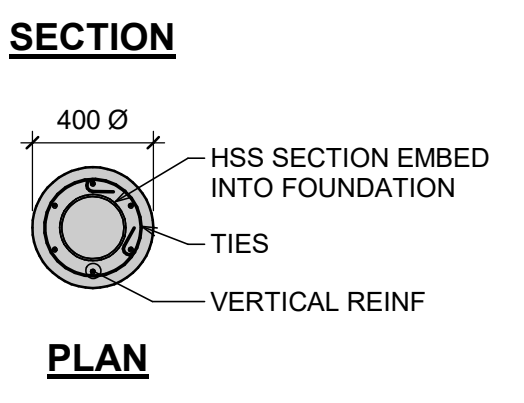
**4 SECTION**  
S00-303 1: 25



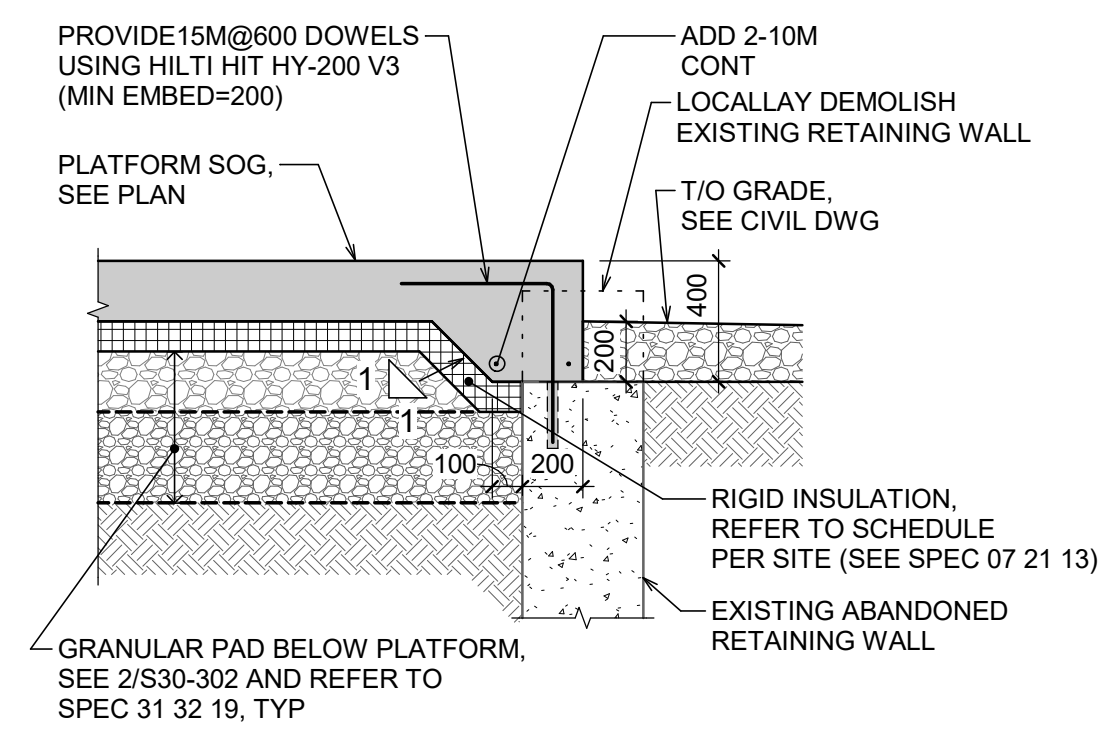
**3 SECTION**  
S00-303 1: 25



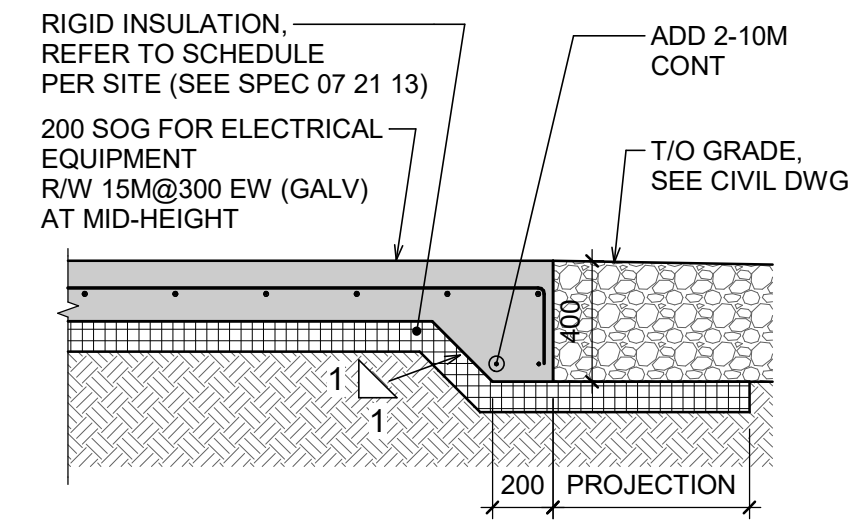
**2 SECTION**  
S00-303 1: 25



**1 TYP BOLLARD ON GRADE**  
S00-303 1: 25

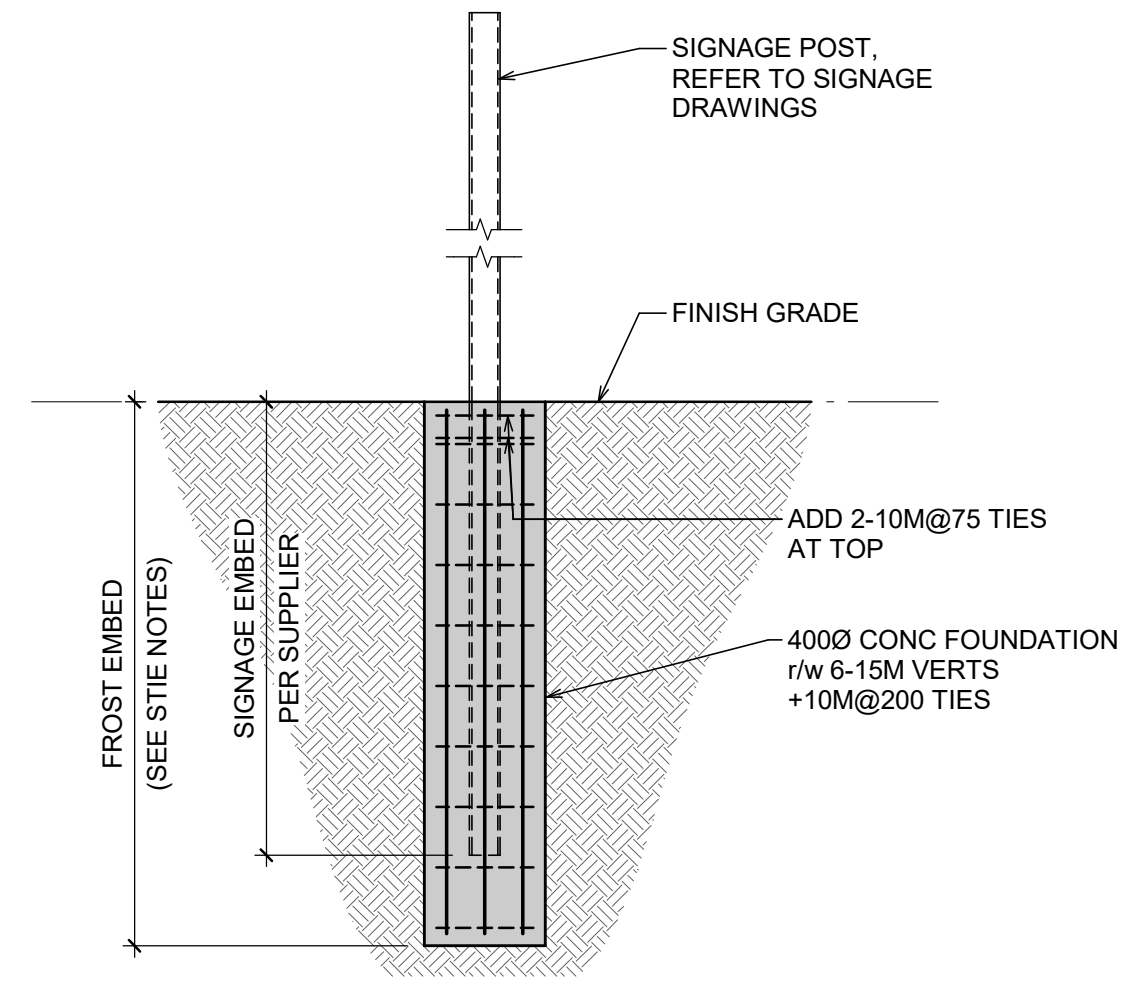


**9 SECTION**  
S00-303 1: 25

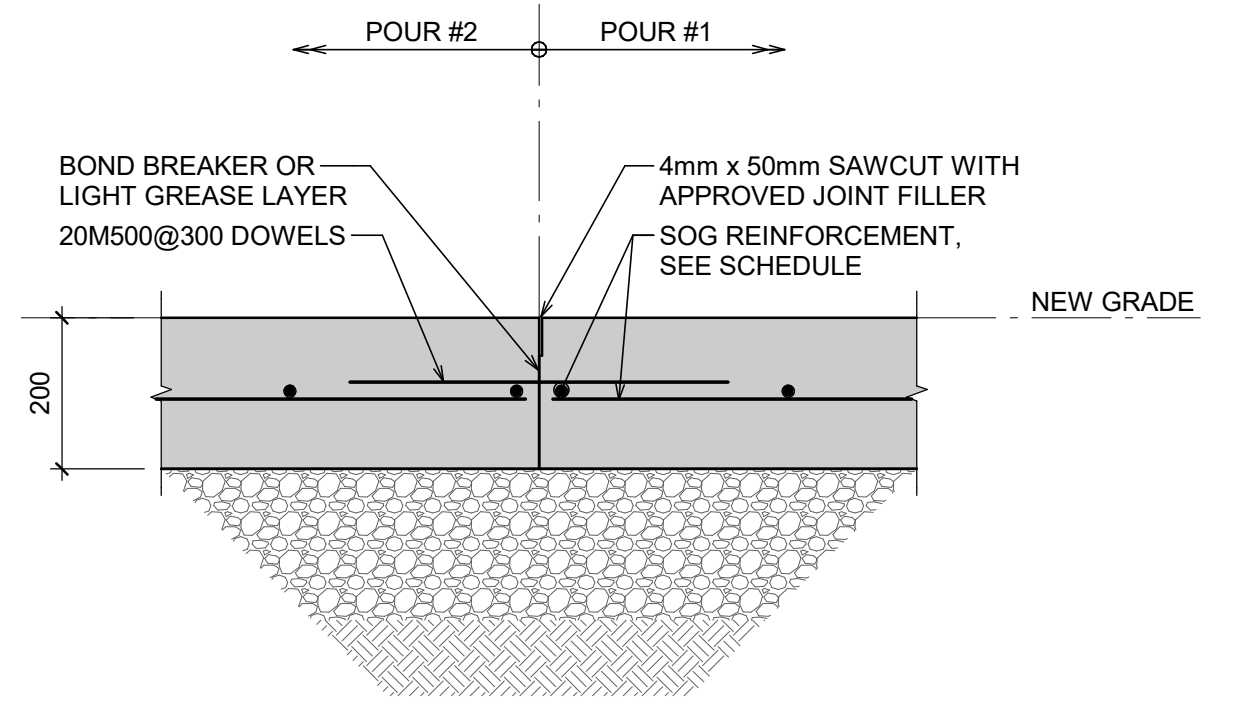


**8 TYP ELECTRICAL EQUIPMENT PAD DETAIL**  
S00-303 1: 25

NOTE:  
1. PROJECTION SHOULD MEET FROST PROTECTION DEPTH, SEE SITE NOTES.



**7 SIGNAGE FOUNDATION DETAIL**  
S00-303 1: 25



**6 SOG CONSTRUCTION JOINT**  
S00-303 1: 10

Local File Autodesks Docs:/073613-ONTC-NorthlanderPassengerRail/TOR-130459-0002-ONT-C-N & TYP DET \_R23.rvt  
Project Number: TOR-130459-0002  
2024-06-06 2:53:21 PM

NO.	DATE	MODIFICATION	DRAWN	CHKD.	APPRVD.	NO.	DATE	MODIFICATION	DRAWN	CHKD.	APPRVD.	
						2	06/06/2024	ADDENDUM NO.3		DP	MT	RA
						1	05/17/2024	ADDENDUM NO.1		DP	SN	SN
								MODIFICATION		DRAWN	CHKD.	APPRVD.

DISCLAIMER

DESIGNED	SN
DRAWN	DP
CHECKED	SN
APPROVED	SN

Read Jones Christoffersen Ltd.  
Engineers  
rjc.ca  
100 University Avenue,  
North Tower, Suite 400  
Toronto, ON M5J 1V6 Canada  
tel 416-977-5335

**NORTHEAST PASSENGER RAIL SERVICE**  
ONTARIO, CANADA  
**REINSTATED STATIONS (PACKAGE 1 & 2)**  
PLATFORM DETAILS

CONTRACT NUMBER	13258
SCALE	As indicated
DATE	03/18/2024
DRAWING NUMBER	S00-303
SHEET	OF

**IFT DESIGN**  
NOT FOR CONSTRUCTION